



Quality designed home power systems for off the grid for all areas of the country and at all price levels. The systems on this page are all "stand alone" systems, capable of producing electricity from solar energy and storing it for use when the sun is not shining.

Our design team can also customize a complete system unique to your specific application.

Meet daily lighting and appliance electricity demand with Free solar power



Leader In Solar Energy Efficient Lighting

All-in-one™

Solar LED Garden & Street Light



Leader In Solar Energy Efficient Lighting

All-In-One 15/20/30/40W Solar Street Light - NightHawk/NightEyes



Feature

1. Two main parts only, lighting fixture and solar panel, nice design of integrated all in one solar street lighting
2. Battery & charge controller integrated in lighting fixture
3. Adjustable solar panel angle for best solar energy conversion
4. 5 -7 years life LiFePO4 battery Easy
5. Installation in minutes, maintenance free and no battery theft

- Smart controller dim light to extend lighting time when battery low
- Built-in 360 degree micro sensor regulates light output automatically.
- Remote control with 4 pro-programmed lighting mode for application selection
- 4 Lighting mode from Remote control
- L: 100% - 1 hr, 70% - 3 hrs, 20% - dawn
- T: 100% - 5 hr, 50% - 7 hrs (dawn)
- M: 50% - 1 hr, 100% - 3 hrs, 20% - dawn
- U: 100% - 2 hr, 60% - 2 hrs, sensor lighting, 20% standby, 60% motion sensed
- Default at L Mode in factory, USE Remote control to set



Model No.:	WS-616-15W	WS-616-20W	WS-616-30W	WS-616-40W
LED Lamp:	15W 2400 lm	20W 3200 lm	30W 4800 lm	40W 6400 lm
Color temperature:	6500 K			
Solar Panel:	50 Watt MONO Crystalline	65 Watt MONO Crystalline	80W MONO Crystalline	100W Mono crystalline
LiFePO4 Battery:	170WH	212WH	340 WH	424 WH
Material:	Aluminum alloy			
Installation :	5m ~ 8m			
Full Charge:	12h per night			
Protections:	Over Charge & Over discharge			
Distance of poles:	8 – 10 meter			
Switch:	Manual Off-Auto			

Leader In Solar Energy Efficient Lighting



Leader In Solar Energy Efficient Lighting

All-In-One™ 8/12W Solar Moon Light



Feature:

- Solar light integrates all components for outdoor lighting.
- Easy, quick installation, maintenance free.
- Mount on pole or wall.
- Built-in 360 degree micro sensor regulates light output automatically.
- Smart charge controller plus remote control
- Work mode:
 - 4 Lighting mode from Remote control
 - L: 100% - 1 hr, 70% - 3 hrs, 20% - dawn (default)
 - T: 100% - 5 hr, 50% - 7 hrs (dawn)
 - M: 50% - 1 hr, 100% - 3 hrs, 20% - dawn
 - U: 100% - 2 hr, 60% - 2 hrs, sensor lighting, 20% standby, 60% motion sensed

Model No.:	WS-609-R8W	WS-609-R12W
LED Lamp:	8W	12W
Color temperature:	6500K as standard.	6500K as standard.
Solar Panel:	20 Watt MONO Crystalline	40 Watt MONO Crystalline
Battery:	3.2V / 20Ah LiFePO4 battery pack	9.6V / 10Ah LiFePO4 battery pack
Micro Sensor:	6-10 m	6-10 m
Material:	Aluminum alloy for lighting housing	Aluminum alloy for lighting housing
	Aluminum frame for solar panel	Aluminum frame for solar panel
Installation :	3m ~ 6m	3m ~ 6m
Full Charge:	Max. 12h per night	Max. 12h per night
Protections:	Over Charge & Over discharge	Over Charge & Over discharge
Distance of poles:	8 – 10 meter	8 – 10 meter
Switch:	Manual Off-Auto	Manual Off-Auto

5W LED SOLAR GARDEN LIGHT WITH SENSOR



Solar Garden Light 5W LED Auto dim off

- Solar garden light Compact "All in one" with polycrystalline solar panel, Lithium Battery, LED, charge controller and sensor detector.
- Anchors and screws for Wall and post.
- The Lamp works in a low consumption Mode, but if the presence sensor detects Movement human turns to the lamp brightness. After 1 minute The Lamp Detection without human Returns to saving mode.
- Operation: with the Switch in the on position, The Lamp turns on automatically at night (This State is detected by the Panel to produce Energy), The Lamp on For 8 h
- Brightness: 5W: 500 lumens / 1 - 1.5 W: 150 - 240 lumens

Model No.: WS-610

1. Polycrystalline solar panel 5w 9V
2. Battery: Lithium (LiFePO4) 3 Ah / 6.4 V
3. LED: 5W (64 LEDs).
4. Infrared sensor Angle: up to 140. REACH 6 - 10 m
5. Charging Time: 6h with direct Sun
6. On / Off Button.
7. Work temperature: - 20 to + 60 C Degrees:
8. Optimum installation: 2 - 4 meters height separation between lamps 6 - 8m.

5W LED ALL IN ONE SOLAR LIGHT



All-In-One™ 5W LED Solar Security Light

Feature:

- Solar light to position where you want it.
- Integrates all components within one housing body.
- Easy & Quick installation.
- Brighter light when you need it.
- Built-in infra-red motion sensor regulates light output automatically.
- Work mode: Lighting on for 1 min when motion sensed, normally off.

Model No.:	WS-612
LED Lamp:	64 Super White LED 5 Watt (6500 K)
Flux.	Bright mode: 500 lm
Solar Panel:	2 Watt Amorphous silicon
Battery:	7.4V / 2 Ah Li-ion battery pack
PIR Sensor:	6-10 m
Material:	ABS plastic housing for outdoor environment Different Color available, golden, grey, coffee
Installation :	2m ~ 3.5m, wall or pole

Installation options

- Decks, fences, entrances to homes.
- Areas that we want to keep Lit
- Security or Scare away Intruders.
- Camping, caravans, Boats.
- Access to garages, warehouses or Farms.
- Areas of pedestrian Passage.
- Lighting boxes, Doors, locks.
- Enlightenment of Flower Beds, Fountains, figures or garden areas.
- Inability to reach places with electrical wire.

Leader In Solar Energy Efficient Lighting



Aluminum housing



Surface mount



Pole mount

All-In-One™ 5W LED Solar Yard Light

Feature:

- Solar light integrates all components within one housing body.
- Easy, quick installation, maintenance free.
- Built-in infra-red sensor regulates light output automatically.
- Lighting mode: Regular lighting at 30% brightness, 100% brightness for 1 min when motion sensed. 8 hours per night.

Model No.:	WS-604S
LED Lamp:	64 Super White LED 5 Watt (6500 K)
Solar Panel:	8 Watt Poly Crystalline
Dimension:	367 X 205 X 55 mm
Battery:	6.4V / 4.5 Ah LiFePO4 battery (5 years)
PIR Sensor:	6-10 m
Material:	Aluminum housing with rust-proof coating Plastic & Glass Construction for solar panel
Installation :	2m ~ 4m
Full Charge:	Max. 8 h per night
Protections:	Over Charge & Over discharge
Illuminating :	6m (Maximum Radius)
Switch:	Manual Off-Auto

Leader In Solar Energy Efficient Lighting

All-In-One™ Remote Control 5W LED Solar Light



Remote control



Pole mount

Surface mount



Feature:

- Solar light integrates all components within one housing body.
- Easy, quick installation, maintenance free.
- Built-in PIR sensor regulates light output automatically.
- 8 hours of lighting per night
- Two lighting options by remote control

Model No.:	WS-604SR
LED Lamp:	64 Super White LED 5 Watt (6500 K)
Flux.	Bright mode: 400 lm
Solar Panel:	8 Watt Poly Crystalline
Dimension:	367 X 205 X 55 mm
Battery:	6.4V / 4.5 Ah LiFePO4 battery pack (5 years)
PIR Sensor:	6-10 m
Material:	Aluminum housing with rust-proof coating
	Plastic & Glass Construction for solar panel
Installation :	2m ~ 4m
Backup:	8 hours of lighting / night Yard lighting per night, 2 nights or sensor light for 8 hours
Protections:	Over Charge & Over discharge
Illuminating :	6m (Maximum Radius)
Switch:	Manual Off-Auto / Remote control

Leader In Solar Energy Efficient Lighting

All-In-One™ 8W LED Solar Security Light

Feature:

- Solar light to position where you want it.
- Integrates all components within one housing body.
- Easy & Quick installation.
- Brighter light when you need it.
- Built-in infra-red motion sensor regulates light output automatically.
- Work mode: Lighting on for 1 min when motion sensed, normally off.



Aluminum housing

Surface mount



Pole mount



Product Code.:	WS-602S
LED Lamp:	112 Super White LED 8 Watt
Solar Panel:	3 Watt amorphous silicon
Dimension:	367 X 205 X 55 mm
Battery:	7.4V / 2000mAh Lithium-ion battery pack
PIR Sensor:	6-10 m
Material:	Metal housing with anti rust coating
	Plastic frame for solar panel
Installation :	2m ~ 4m
Full Charge:	up to 80 times of lighting @ 1 min
Protections:	Over Charge & Over discharge
Illuminating:	6m (Maximum Radius)
Switch:	Manual Off-Auto

Leader In Solar Energy Efficient Lighting

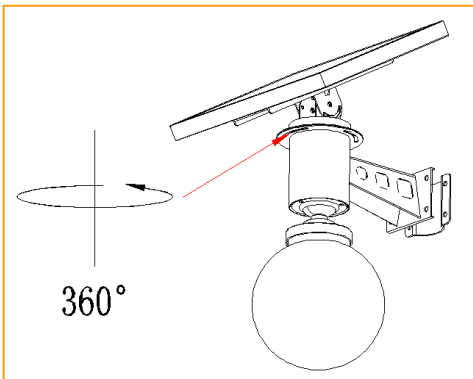


All-In-One™ 5W Solar Ball Light

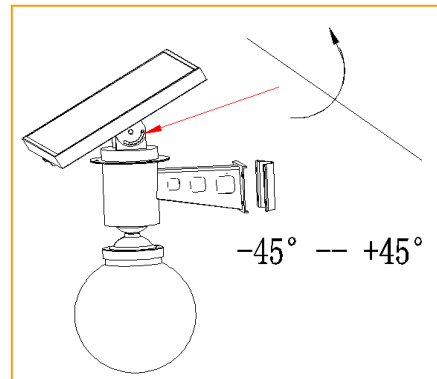
Feature:

- Solar light integrates all components for outdoor lighting.
- Easy, quick installation, maintenance free.
- Mount on pole or wall.
- Built-in 360 degree micro sensor regulates light output automatically.
- Work mode: Constant light @ 30% brightness. 100% brightness when motion sensed , back to 30% brightness when people are away. Max 12 hours per night.

Model No.:	WS-608
LED Lamp:	5W
Color temperature:	6500K as standard.
Solar Panel:	10 Watt Poly Crystalline
Battery:	3.7V / 12Ah Li-ion battery pack
Micro Sensor:	6-10 m
Material:	Metal housing with rust-proof coating Aluminum frame for solar panel
Installation :	2m ~ 4m
Full Charge:	Max. 12h per night
Protections:	Over Charge & Over discharge
Illuminating :	6m (Maximum Radius)
Switch:	Manual Off-Auto

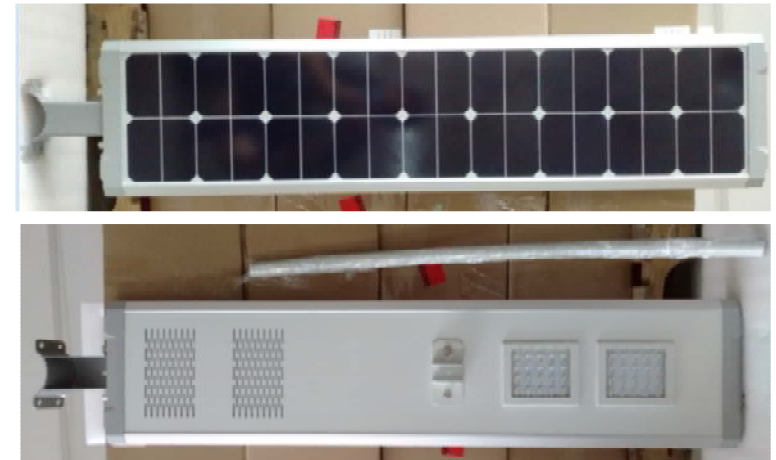


Solar panel direction



Solar panel tilt

10W/15W/20W/25W/30W LED ALL IN ONE STREET LIGHT ROCK DESIGN



Construction

- Fully integrated solar street light from simplified & cast aluminum housing design optimize the construction to keep the stability and low cost.
- Air-flow through heat sink design provides perfect heat management, waterproof design, lighter and keep stronger construction.
- Smooth and glossy processing with natural clean system prevents debris build-up and minimizes wind loading.
- Economic self contain street lighting fixtures ready for installation right out of the box.
- Each fixture can be retrofitted to an existing pole in no time.
- Intelligent PIR sensor for dusk to dawn operation, Brightness automatically switched by smart charge controller management.
- Universal mounting bracket enables mounting on variety of poles.

LED & Optics

- Eutectic led packaging technology is applied for low heat resistance, low light degradation, high efficiency and long life (Projected L70>50000h @ Ta 25C). High efficiency Pure white (6500-7000K)
- Precise integrated optic lens in high intensity PC material with IESNA Type I provides high uniformity and optimal luminaire spacing, the optical system optimizes the light distribution, eliminate the waste of light, increase the reasonable and effective using of light.
- **Electronics** - IP 68 waterproof charge controller / Sensor / connector
- **Battery** - 2000 cycles LiFePO4 battery from qualified supplier, stable quality performance

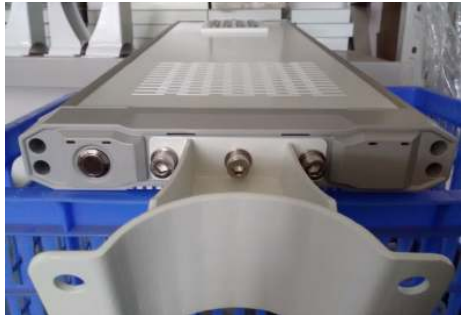
10W/15W/20W/25W/30W LED ALL IN ONE STREET LIGHT ROCK DESIGN

Product Code	WS-603-10W-ROCK	WS-603-15W-ROCK	WS-603-20W-ROCK
LED Watt LED CHIP	10 (LED chip Bridgelux USA)	15 (LED chip Bridgelux USA)	20 (LED chip Bridgelux USA)
LED lumen max.	1000-1100	1500-1650	2000-2200
Solar panel	20W SUNPOWER MONO	30W SUNPOWER MONO	40W SUNPOWER MONO
Battery (AH/V)	9AH / 12.8V LiFePO ₄	15AH / 12.8V LiFePO ₄	18AH / 12.8V LiFePO ₄
Life span (battery cycle)	2000	2000	2000
Lighting mode	12 hours / night, 20-30% brightness as constant lighting, 100% brightness for 45s or 1 min @ motion sensed. 6-8 hours full charge by sun Lighting mode can be customized.		
Backup	24 hours	24 hours	24 hours
Housing Material	Aluminium alloy	Aluminium alloy	Aluminium alloy
PIR sensor	YES	YES	YES
Operating temp	-20°C to +60°C	-20°C to +60°C	-20°C to +60°C
Lamp Color temp.	6500K (Cool white)	6500 K (Cool white)	6500 K (Cool white)
Install height	3-5 m	4-6 m	4-6 m
Best Pole height	4-5.5m	5-6 m	5-6 m
Pole Diam.	60-110mm	70-110mm	70-110mm
Pole distance	12m	15 m	> 15 m
Dimensions	580 x 310 x 55 mm	805 x 310 x 55 mm	900 x 310 x 55 mm
Protection	IP 65 (EN60529 compliant)	IP 65 (EN60529 compliant)	IP 65 (EN60529 compliant)

10W/15W/20W/25W/30W LED ALL IN ONE STREET LIGHT ROCK DESIGN

Product Code	WS-603-25W-ROCK	WS-603-30W-ROCK
LED Watt LED CHIP	25 (LED chip Bridgelux USA)	30 (LED chip Bridgelux USA)
LED lumen max.	2500-2650	3000-3300
Solar panel	50W SUNPOWER MONO	60W SUNPOWER MONO crystalline
Battery (AH/V)	21AH / 12.8V LiFePO ₄	24AH / 12.8V LiFePO ₄
Life span (battery cycle)	2000	2000
Lighting mode	12 hours / night, 20/30% brightness as constant lighting, 100% brightness for 45s /1 min @ motion sensed. 6-8 hours full charge by sun Lighting mode can be customized.	
Backup	24 hours	24 hours
Housing Material	Aluminium alloy	Aluminium alloy
PIR sensor	YES	YES
Operating temp	-20°C to +60°C	-20°C to +60°C
Lamp Color temp.	6500 K (Cool white)	6500 K (Cool white)
Install height	4-6 m	5-7 m
Best Pole height	5-6	5.5 m
Pole Diam.	70-110mm	70-110mm
Pole distance	> 18 m	> 25 m between poles
Dimensions	1150 x 310 x 55 mm	1260*310*55mm
Protection	IP 65 (EN60529 compliant)	IP 65 (EN60529 compliant)

- Applications**
- Street
- Parking Lots
- Arenas
- Public places
- Commercial space
- Bus stops
- Recreation area
- Parks
- Schools
- Hospitals



Leader In Solar Energy Efficient Lighting

Applications

Street

Parking Lots

Arenas

Public places

Commercial space

Bus stops

Recreation area

Parks

Schools

Hospitals

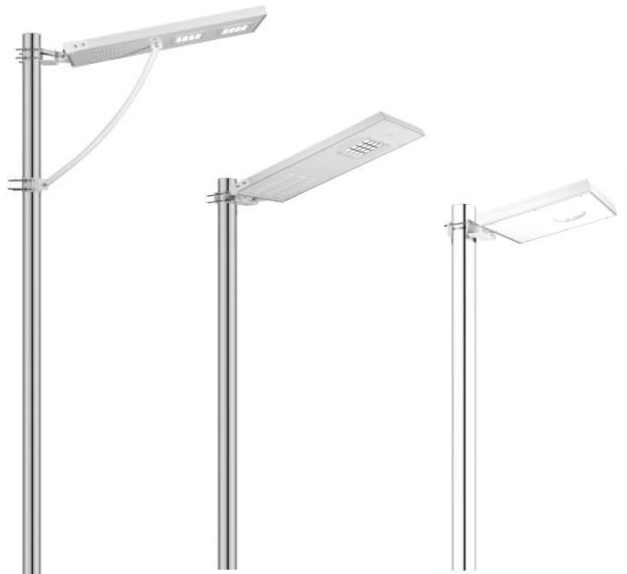
Full All-in-One Solar Street Light – Square design

General specification:

- * Manufactured by ISO 9001: 2000 Quality assured facility
- * Over load/ Over charge / Over discharge / short circuit protection
- * Charge temperature: -0 to +60 degree Celsius
- * Discharge temperature -20 to 60 degree Celsius
- * Rust proof enclosure with IP65 for water and rust protection

Key features:

- * In-bulit LiFePO4 battery with min. 5 years life
 - * Intelligent sensor for dusk to dawn operation
 - * Brightness automatically switched by charge controller management.
 - * 2 days battery back up proving high reliability in cloudy weather
 - * Universal mounting bracket enables mounting on variety of poles
- Economic self contain street lighting fixtures ready for installation right out of the box.
 - Each fixture can be retrofitted to an existing pole in no time.
 - Complete range from 5W LED to 60W LED built on the same design concept.



Leader In Solar Energy Efficient Lighting



Product Code	WS-603-40W - MA	WS-603-40W - MA
LED Watt	40	40 (50)
LED lumen max.	4000-4400	4000-4400 (5000-5500)
Solar panel	75/80W	80W
Battery (AH/V)	30AH / 12.8V LiFePO ₄	33AH / 12.8V LiFePO ₄
Life span (battery cycle)	2000	2000
Lighting mode	12 hours / night , Dim mode 30% brightness , bright mode 100% for one minute when motion sensed	12 hours / night , Dim mode 30% brightness , bright mode 100% for one minute when motion sensed
Backup	24 hours	24 hours
Housing Material	Aluminium alloy	Aluminium alloy
PIR sensor	YES	YES
Operating temp	-20°C to +60°C	-20°C to +60°C
Lamp Color temp.	6500 K (Cool white)	6500 K (Cool white)
Install height	5-7 m	5-7 m
Pole Diam.	70-110mm	70-110mm
Pole distance	25 m	25 m
Dimensions	1170 X 430 X 55 mm	1170 X 430 X 55 mm



Leader In Solar Energy Efficient Lighting

Product Code	WS-603-60W –EU / O	WS-603-80W-O
LED Watt	60	80
LED lumen max.	6000-6600	8000
Solar panel	90/100 W MONO crystalline	115/130W MONO crystalline
LiFePO ₄ Battery (AH/V)	28 AH / 19.2V OR 42AH 12.8V	54 AH / 12.8V
Life span (battery cycle)	2000	2000
Lighting mode	12 hours / night , Dim mode 30% brightness , bright mode 100% for one minute when motion sensed	12 hours / night , Dim mode 30% brightness , bright mode 100% for one minute when motion sensed
Backup	24 hours	24 hours
Housing Material	Aluminium alloy	Aluminium alloy
PIR sensor	YES	YES
Operating temp	-20°C to +60°C	-20°C to +60°C
Lamp Color temp.	6500 K (Cool white)	6500 K (Cool white)
Install height	5-7 m	5-7 m
Pole Diam.	70-110mm	70-110
Pole distance	> 25 m	> 30 m
Dimensions	1300 X 430 X 55 mm 1080 X 450 X 153 mm	1185 X 590 X 153 mm



Leader In Solar Energy Efficient Lighting

II Piece All-In-One Solar Street Light

Key features:

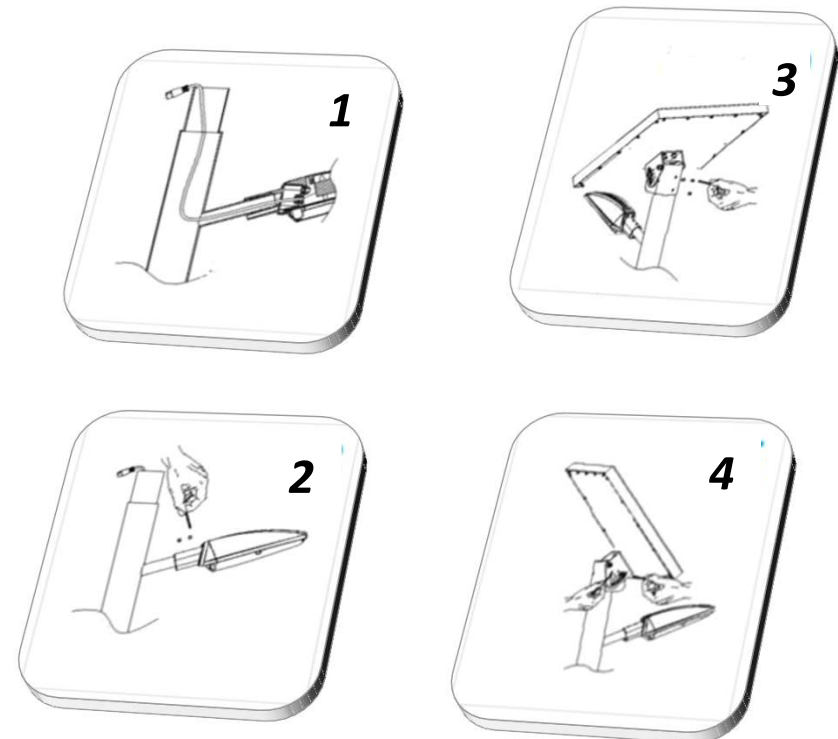
- * In-bulit LiFePO4 battery with minimum 5 years life
- * Intelligent sensor for dusk to dawn operation
- * Brightness automatically switched by charge controller management.
- * 2 days battery back up proving high reliability in cloudy weather
- * Universal mounting bracket enables mounting on variety of poles

General specification:

- * Manufactured by ISO 9001: 2000 Quality assured facility
- * Over load/ Over charge / Over discharge / short circuit protection
- * Charge temperature: -0 to +60 degree Celsius
- * Discharge temperature -20 to 60 degree Celsius
- * Rust proof enclosure with IP65 for water and rust ingress protection



Mounting



Leader In Solar Energy Efficient Lighting

Product Code	WS-605S-18W	WS-605S-24W	WS-605S-30W
LED lamp (watt)	18	24	30
Solar panel (watt)	50	60	80
Battery capacity	24AH /12.8V	30AH /12.8V	40AH /12.8V
Lighting mode	12 hours / night 2 hour of 40% power 4 hours of 100% power 6 hours of 40% power	12 hours / night 2 hour of 40% power 4 hours of 100% power 6 hours of 40% power	12 hours / night 2 hour of 40% power 4 hours of 100% power 6 hours of 40% power
Backup time	24 hours	24 hours	24 hours
Operating temp	-20°- 60°C	-20°- 60°C	-20°- 60°C
Color temp.	6500K (cool white)	6500K (cool white)	6500K (cool white)
Pole Diam.	76-80 mm	76-80 mm	76-80 mm
Install height	4-5 m	4-6 m	4-6 m
Pole distance	> 15 m	> 18 m	> 25 m

This specification is based on average 4-5 hrs of peak sunshine for good climate.

For high latitude countries and sunshine condition vary different from seasons, we propose other specification and lighting mode to suit local application.

