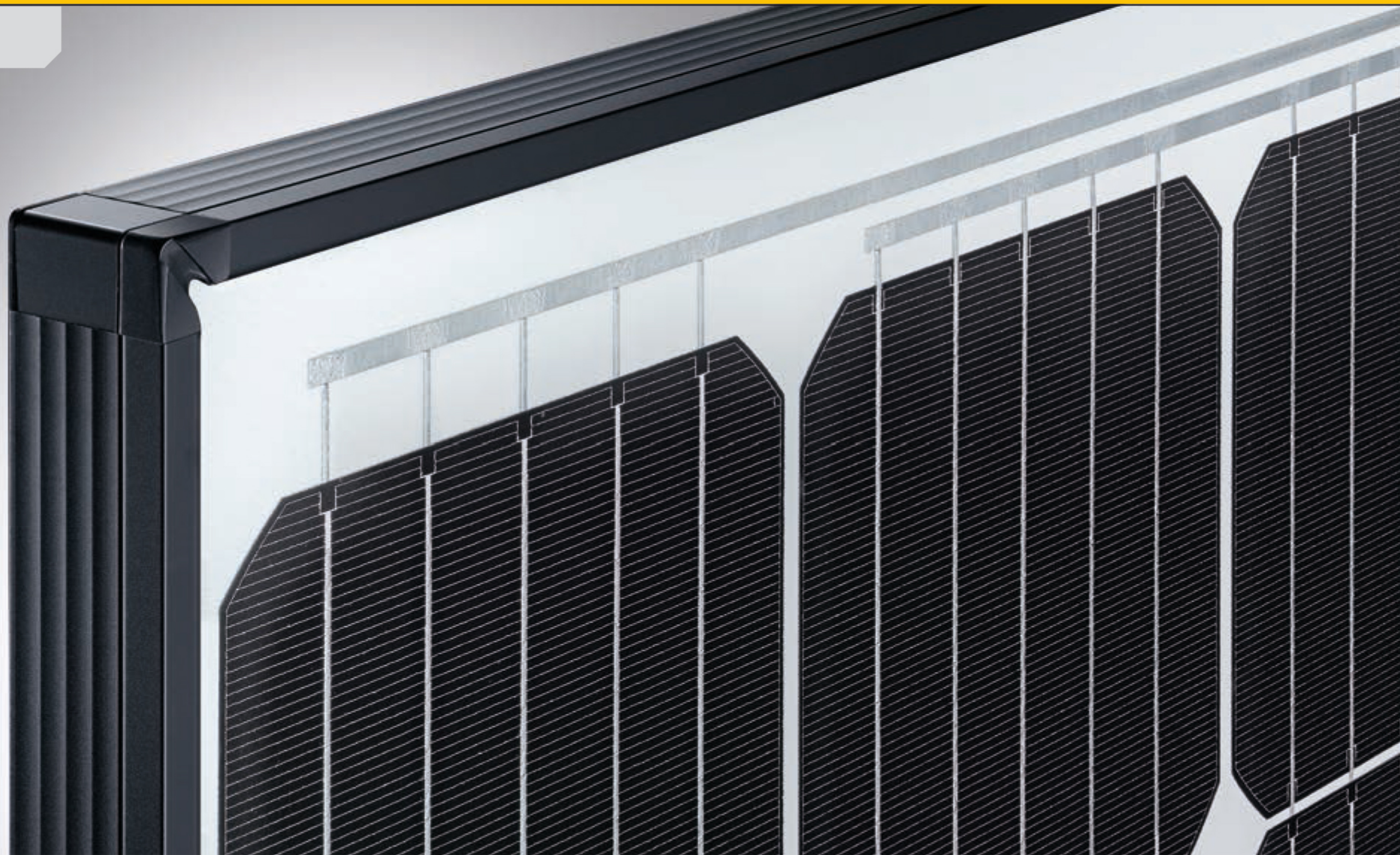


# Sunmodule<sup>®</sup> Plus

## SW 290 / 300 MONO



Data sheet



## HIGH QUALITY ENGINEERING BY SOLARWORLD

More than 40 years of technology expertise, ongoing innovation and continuous optimization create the foundation for the performance of Solarworld's high-quality modules. All production steps, from silicon to module, are established at our production sites, ensuring the highest quality for our customers every step of the way. Our modules are extremely flexible when it comes to their application and provide optimal solutions for installation and non-stop performance – worldwide.

- » Especially stable, despite its low weight mechanical resilience of up to 8.5 kN/m<sup>2</sup>
- » Tested in extreme weather conditions – resistance to salt spray, frost and hail-proof, resistance to ammonia, dust and sand
- » PID-resistant and proven hotspot guarantee
- » Highly-efficient cells (mono PERC) for the highest possible yields
- » Harmonized components such as mounting systems, connector cables, inverters and energy storage systems can be delivered as complete system
- » Patented drainage corners for optimized self-cleaning
- » Front glass with an anti-reflective coating
- » Long-term safety and guaranteed top performance – At least 97% of nominal power in the first year – 25-year linear performance warranty 20-year product warranty



# Sunmodule<sup>®</sup> Plus

## SW 290 / 300 MONO



### PERFORMANCE UNDER STANDARD TEST CONDITIONS (STC)\*

		SW 290	SW 300
Maximum power	$P_{max}$	290 Wp	300 Wp
Open circuit voltage	$U_{oc}$	39.6 V	40.0 V
Maximum power point voltage	$U_{mpp}$	31.9 V	32.6 V
Short circuit current	$I_{sc}$	9.75 A	9.83 A
Maximum power point current	$I_{mpp}$	9.20 A	9.31 A
Module efficiency	$\eta_m$	17.30 %	17.89 %

Measuring tolerance ( $P_{max}$ ) traceable to TUV Rheinland: +/- 2% (TUV Power controlled, ID 0000039351)

\*STC: 1000W/m<sup>2</sup>, 25°C, AM 1.5

### PERFORMANCE AT 800 W/m<sup>2</sup>, NOCT, AM 1.5

		SW 290	SW 300
Maximum power	$P_{max}$	219.6 Wp	226.7 Wp
Open circuit voltage	$U_{oc}$	36.7 V	37.0 V
Maximum power point voltage	$U_{mpp}$	29.5 V	30.2 V
Short circuit current	$I_{sc}$	7.99 A	8.06 A
Maximum power point current	$I_{mpp}$	7.43 A	7.52 A

Minor reduction in efficiency under partial load conditions at 25°C: at 200 W/m<sup>2</sup>, 97% (+/-3%) of the STC efficiency (1000 W/m<sup>2</sup>) is achieved.

### PARAMETERS FOR OPTIMAL SYSTEM INTEGRATION

Power sorting	-0 Wp / +10 Wp
Maximum system voltage IEC	1000 V
Maximum reverse current	25 A
Number of bypass diodes	3
Operating range	-40°C - +85°C
Maximum Design Loads (Two rail system)*	+5.4 kN/m <sup>2</sup> / -3.1 kN/m <sup>2</sup>
Maximum Design Loads (Three rail system)*	+8.5 kN/m <sup>2</sup> / -3.1 kN/m <sup>2</sup>

\*Please refer to the Sunmodule Installation instructions for the details associated with these load cases.

### COMPONENT MATERIALS

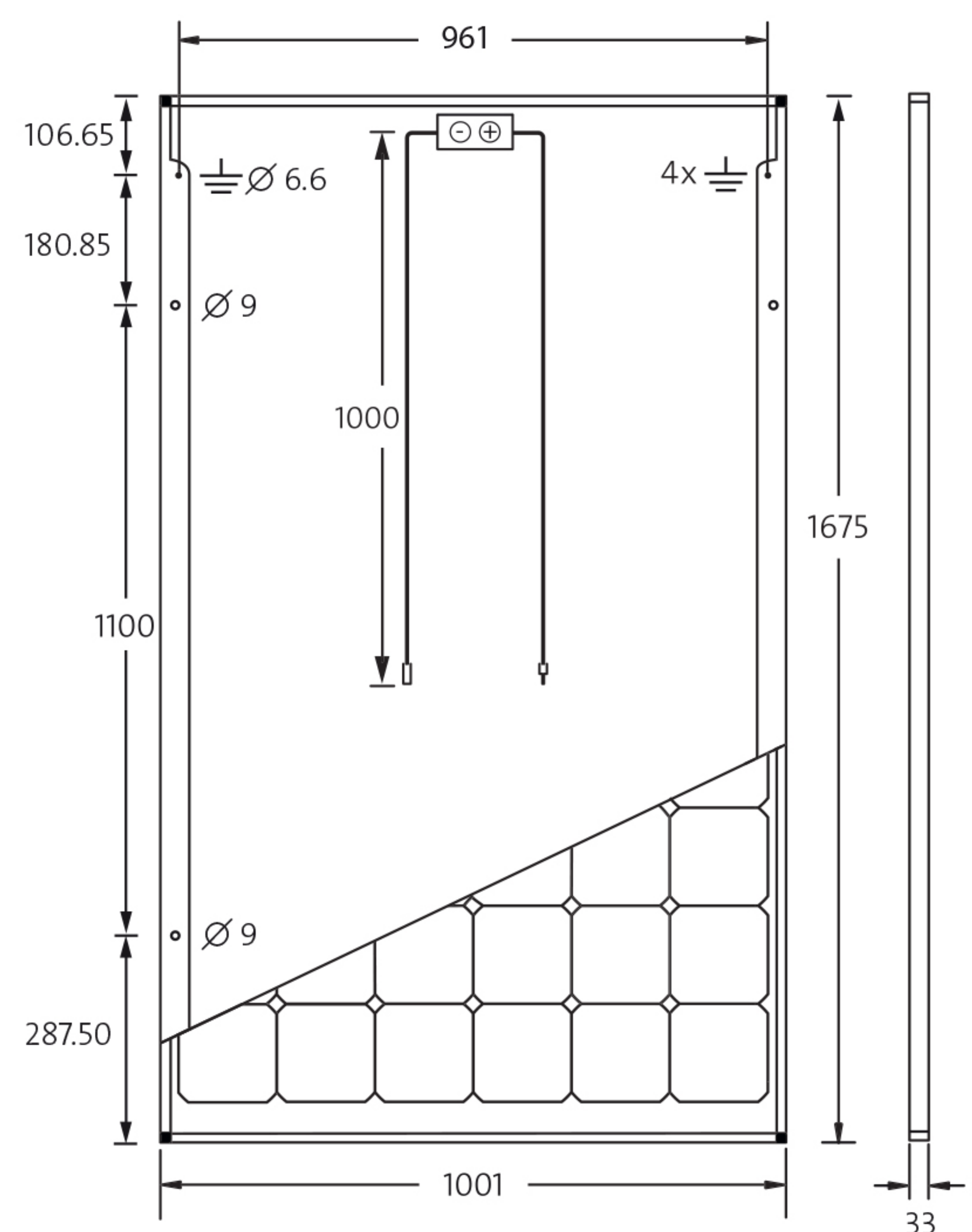
Cells per module	60
Cell type	Mono crystalline PERC
Cell dimensions	156 mm x 156 mm
Front	Tempered safety glass (EN 12150)
Back	Film, white
Frame	Black anodized aluminum
J-Box	IP65
Connector	Amphenol H4 UTX

### DIMENSIONS / WEIGHT

Length	1675 mm
Width	1001 mm
Height	33 mm
Weight	18.0 kg

### THERMAL CHARACTERISTICS

NOCT	46 °C
TK $I_{sc}$	0.070 %/K
TK $U_{oc}$	-0.29 %/K
TK $P_{mpp}$	-0.39 %/K



### ORDERING INFORMATION

Order number	Description
82000482	Sunmodule Plus SW 290 mono
82000432	Sunmodule Plus SW 300 mono

### CERTIFICATES AND WARRANTIES

Certificates	IEC 61730	IEC 61215	UL 1703
	IEC 62716	IEC 60068-2-68	IEC 61701
Warranties	Product Warranty	20 years	
	Linear Performance Guarantee	25 years	